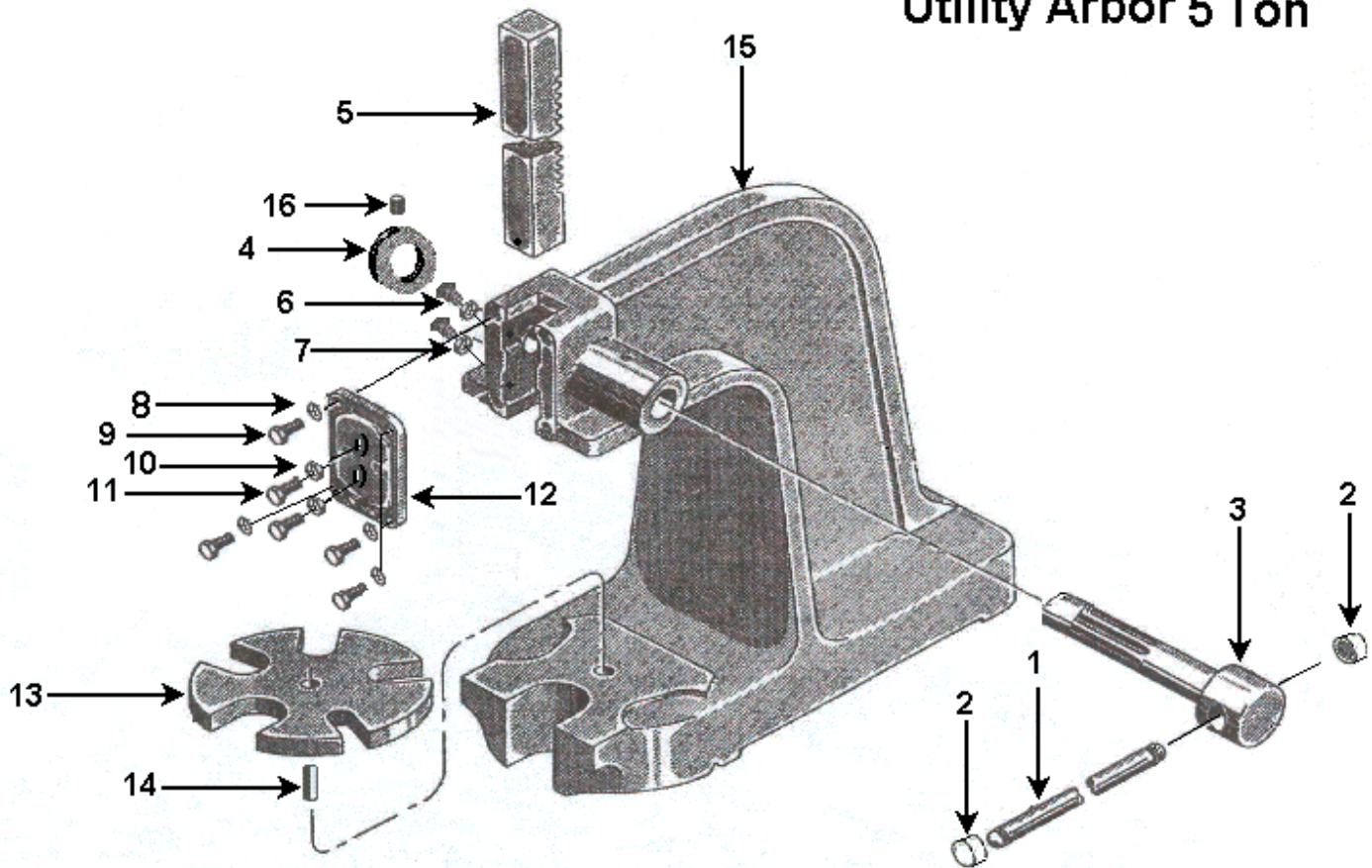


Utility Arbor 5 Ton



SAFETY

This is the safety alert symbol. When you see this symbol on your press, be alert to the potential for personal injury.

Follow recommended precautions and safe operating practices.

<p>Carefully read all safety messages in these instructions and on your press safety signs. Keep safety labels in good condition. Replace missing or damaged safety labels.</p>	<p>This machine is intended to be operated by one person. This person should be conscious of the press ram movement not only for themselves but also for persons in the immediate area of the machine.</p>	<p>Under no circumstances increase the leverage ratio of the press by using a longer handle or by placing a pipe over the handle. Never hammer on top of the ram.</p>
---	---	--



Utility Arbor 5 Ton

Single leverage arbor press
Instructions and parts list

Utility Line Arbor Press

<u>Item</u>	<u>Part Name</u>	<u>Quantity</u>	<u>Part Number</u>
1	Handle	1	301250
2	Handle cap	2	301251
3	Spindle	1	301252
4	Spindle retaining collar	1	301253
5	Ram	1	301254
6	Ram brake adjusting bolt	2	301255
7	Ram brake adjusting bolt nut	2	301256
8	Washer	4	301257
9	Ram cap bolt	4	301258
10	Ram shim bolt nut	2	301259
11	Ram shim bolt	2	301260
12	Ram cap	1	301261
13 & 14	Table Plate assembly & Roll pin	1	301262
15	Frame	1	301265
16	Spindle collar set screw	1	301263

Please contact factory for current prices.

Ordering information: Please order all repair parts by part number and name, also mention model number of press. All parts are shipped F.O.B. Factory in Grand Haven, MI.

Lubrication: Keep all working parts of the press well oiled for easier operation. Also keep a light film of oil over the entire surface of the ram to prevent rust.

DAKE
Division of JSJ Corp.
724 Robbins Road
Grand Haven, MI 49417

Phone: 616-842-7110 800-937-3253
Fax: 616-842-0859 800-846-3253
E-Mail: customerservice@dakecorp.com
technicalservice@dakecorp.com
Website: www.dakecorp.com